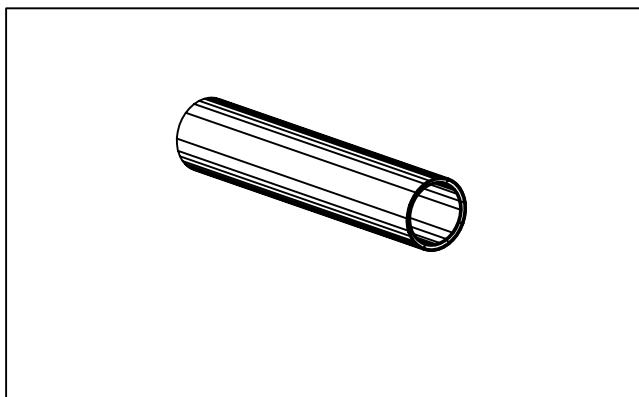
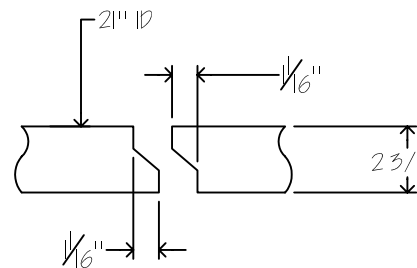


## 21" RCP PIPE DETAIL



ISOMETRIC VIEW



TONGUE AND GROOVE DETAIL

WEIGHTS:  
 PER FOOT ..... 214 LBS.  
 8' LENGTH ..... 1712 LBS.  
 4' LENGTH ..... 856 LBS.

REVISIONS	BY

NOTES:

- 1) ALL DIMENSIONS SUBJECT TO ALLOWABLE SPECIFICATION TOLERANCES AND PARAMETERS.
- 2) STEEL REINFORCEMENT NOT SHOWN
- 3) PIPE IS MANUFACTURED PER ASTM C-76, AND CONFORMS TO SEC. 207-2 OF STANDARD SPECIFICATIONS FOR PUBLIC WORKS CONSTRUCTION.
- 4) IF USED, INTERNAL RUBBER GASKET SHALL CONFORM TO AASHTO DESIGNATION M-198-75

CONTRACT NO.	
DESIGN BY	FVB
CHECKED BY	
DATE	10/30/05
P/N	
SHEET 1 OF	SCALE AS SHOWN

**PRECON**  
**PRODUCTS**

FILE  
 21" RCP PIPE DETAIL