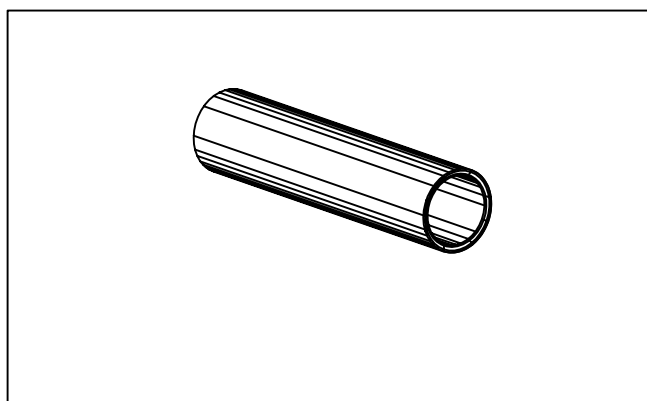
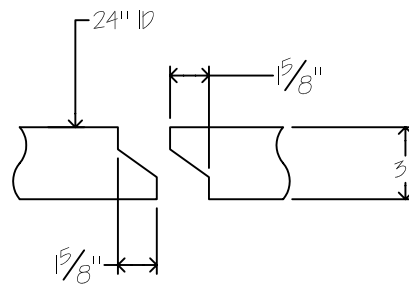


24" RCP PIPE DETAIL



ISOMETRIC VIEW




TONGUE AND GROOVE DETAIL

WEIGHTS:
 PER FOOT 264 LBS.
 8' LENGTH 2121 LBS.
 4' LENGTH 1056 LBS.

| REVISIONS | BY |
|-----------|----|
| | |
| | |
| | |
| | |
| | |

NOTES:

- 1) ALL DIMENSIONS SUBJECT TO ALLOWABLE SPECIFICATION TOLERANCES AND PARAMETERS.
- 2) STEEL REINFORCEMENT NOT SHOWN
- 3) PIPE IS MANUFACTURED PER ASTM C-76, AND CONFORMS TO SEC. 207-2 OF STANDARD SPECIFICATIONS FOR PUBLIC WORKS CONSTRUCTION.
- 4) IF USED, INTERNAL RUBBER GASKET SHALL CONFORM TO AASHTO DESIGNATION M-198-75

| | | |
|--------------|----------|---|
| CONTRACT NO. | |  |
| DRAWN BY | | |
| CHECKED BY | | |
| DATE | | |
| P/N | | |
| TITLE | | 24" RCP PIPE DETAIL |
| SHEET | SCALE | |
| 1 OF | AS SHOWN | |