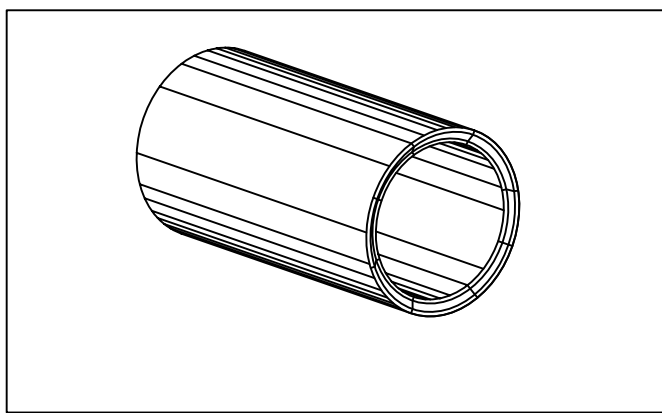
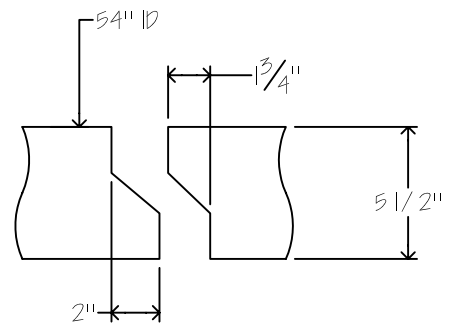


54" RCP PIPE DETAIL



ISOMETRIC VIEW




TONGUE AND GROOVE DETAIL

WEIGHTS:
 PER FOOT1068 LBS.
 8' LENGTH8544 LBS.
 4' LENGTH4272 LBS.

REVISIONS	BY

- NOTES:
- 1) ALL DIMENSIONS SUBJECT TO ALLOWABLE SPECIFICATION TOLERANCES AND PARAMETERS.
 - 2) STEEL REINFORCEMENT NOT SHOWN
 - 3) PIPE IS MANUFACTURED PER ASTM C-76, AND CONFORMS TO SEC. 207-2 OF STANDARD SPECIFICATIONS FOR PUBLIC WORKS CONSTRUCTION.
 - 4) IF USED, INTERNAL RUBBER GASKET SHALL CONFORM TO AASHTO DESIGNATION M-198-75

CONTRACT NO.		
DRAWN BY FVB		
CHECKED BY		
DATE 10/30/09		
P/N		
SHEET 1 OF	SCALE AS SHOWN	TITLE 54" RCP PIPE DETAIL